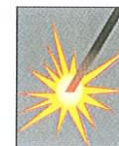




# Load Ring for corners - RBK - - for welding -

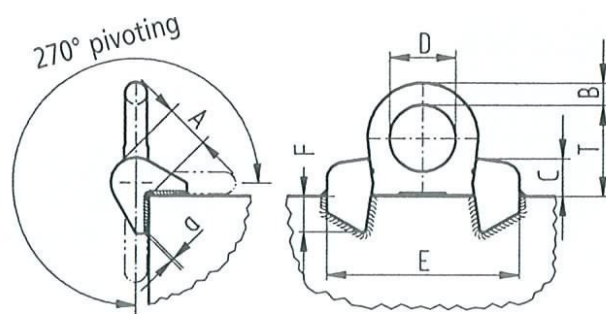


**4 better  
lifting**



EMI OFB  
005138

## RBK 3 and 5

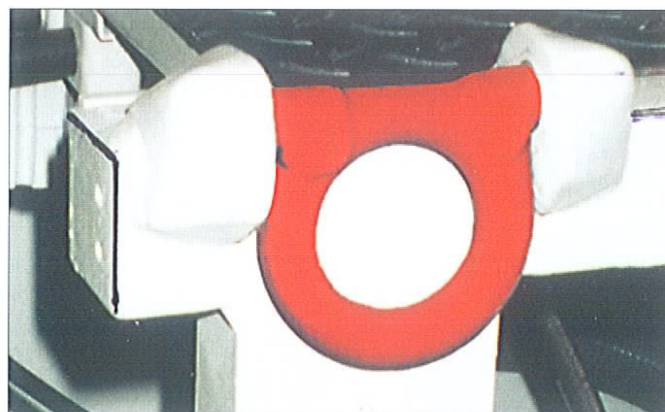


| Type  | WLL (t) | A   | B  | C  | D  | E   | F  | T  | Weld     | Weight (kg) | Ref.-No. complete |
|-------|---------|-----|----|----|----|-----|----|----|----------|-------------|-------------------|
| RBK 3 | 3       | 80  | 16 | 28 | 48 | 135 | 30 | 65 | HV 4 + 3 | 0,9         | 52 943            |
| RBK 5 | 5       | 100 | 20 | 35 | 60 | 174 | 34 | 83 | HV 5 + 3 | 1,3         | 59 484            |

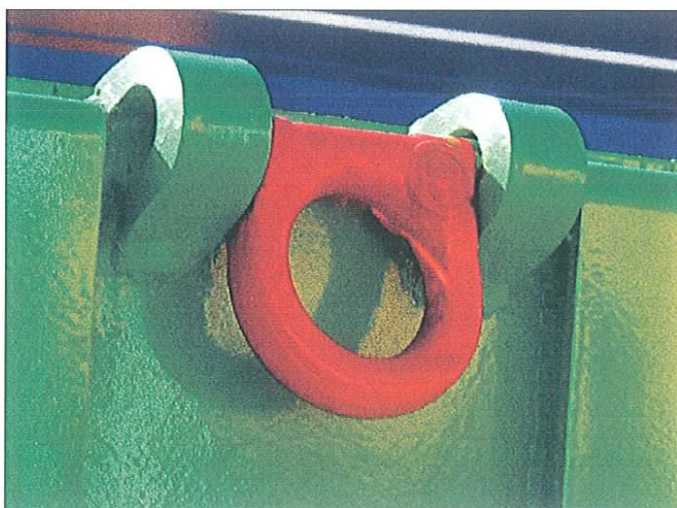
- Attached to the corner, for lifting as well as for tie down.
- Forged ring acc. to EN 1677-1, grade 80, electromagnetically crack detected, painted red.

Order number of ring individually, e.g. RL 8.

- Overall full loading.
- Design factor 4:1.
- Favourable force introduction by two-points-support
- Minimum height, pivoting 270°.
- Welding block for corners made of material 1.0570 (St 52-3) and provided with the WLL (t).



| Type  | WLL (t) | A   | B  | C  | D  | E   | F  | T  | Weld a | Weight (kg) | Ref.-No. complete |
|-------|---------|-----|----|----|----|-----|----|----|--------|-------------|-------------------|
| RBK 8 | 8       | 130 | 22 | 40 | 65 | 183 | 45 | 95 | 15     | 2,6         | 55 278            |



## RBK 8

